

# Model - MP-DC1-R2 - 2nd gen

## TECHNICAL SPECIFICATIONS

bioVibez - Dual outputs - PIR/LUX motion sensor / DIP-switch config.

### Supply -

DC - Voltage : 5 to 35 V (DC)

### Output configuration-

Channel - 1 : Type - A\*  
Channel - 2 : Type - A\*

Note-

\*Channel outputs are tied to supply, through relays

### Power output (Maximum) -

Channel - 1 : 2000W †  
Channel - 2 : 2000W †  
Channel -1 + channel - 2 : <= 2300W †

Note-

† Rated at resistive load

### Fuse - External (for channel load)-

Recommended : as per load

### Sensor detection-

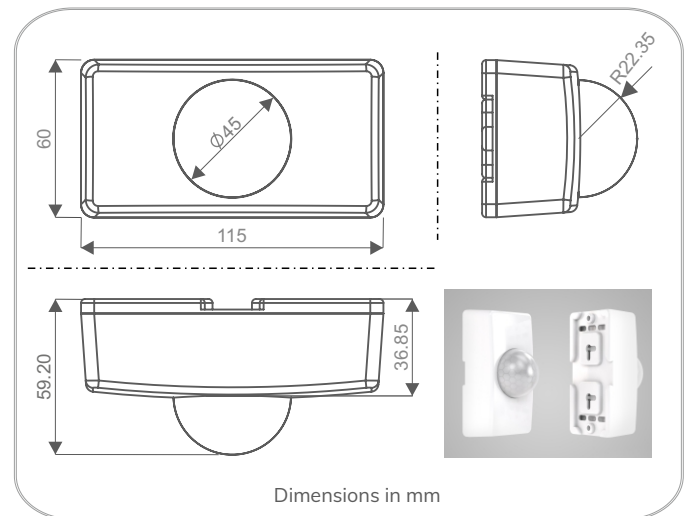
Detection range : ~6m (13ft)  
Angle of detection : ~120 degrees  
Motion detection speed : 0.5 to 0.9m/s

### Device configuration-

Method : DIP-switches x 12

### Configurable parameters CH-1 & CH-2-

- 1) Channel timeouts : 8 preset values  
Value list : 10sec, 20sec, 30sec, 60sec (1min), 2min, 5min, 10min, 30min
- 2) LUX control : Enable / disable
- 3) LUX set points : 2 preset values  
Dark to dim setting : < 10 lux  
Medium setting : < 70 lux
- 4) Ch-2 start control : Parallel / Sequential  
Parallel mode : CH-2 output switches 'ON' with motion detection.  
Sequential mode : CH-2 output switches 'ON' after CH-1 output timeout ('OFF')
- 5) PIR sensor sensitivity : 4 settings  
Value list : 100 % (default), 85%, 75% & 60%



Dimensions in mm

### Dimensions -

Length : 115 mm  
Width : 60 mm  
Height : 59.2 mm

### Weight -

Unit weight : 150 gm  
Packaged weight : 210 gm

### Enclosure-

Material : Polycarbonate  
Grade : Fire resistant

### Recommended usage-

Device installation : Indoors

### Recommended mounting-

Device mounting : Wall or ceiling

### Dynamic lux set point calibration-

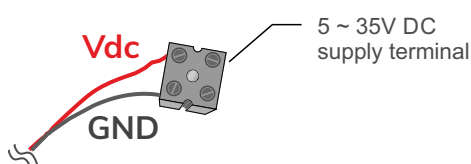
Dynamic SP delay # : 1 sec

Note-

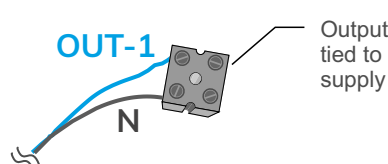
# Dynamic set point is captured after delay, once relay is 'ON'. The dynamic set point includes the lux value of the light attached to the relay. This prevents hunting.

### Connections (colour coded wires)-

Input supply :



Output channel-1 :



Output channel-2 :

