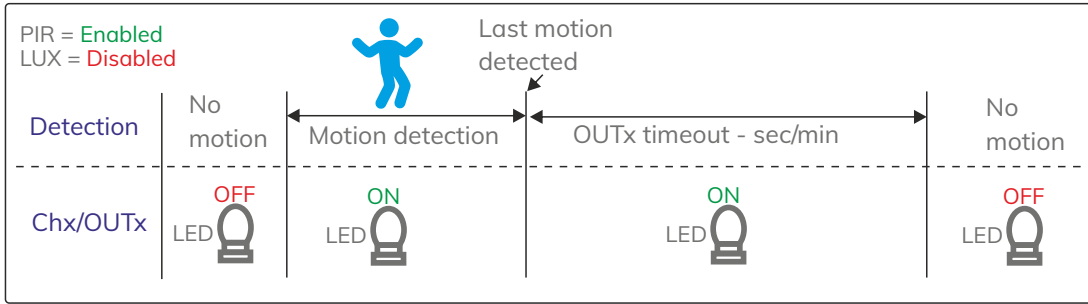
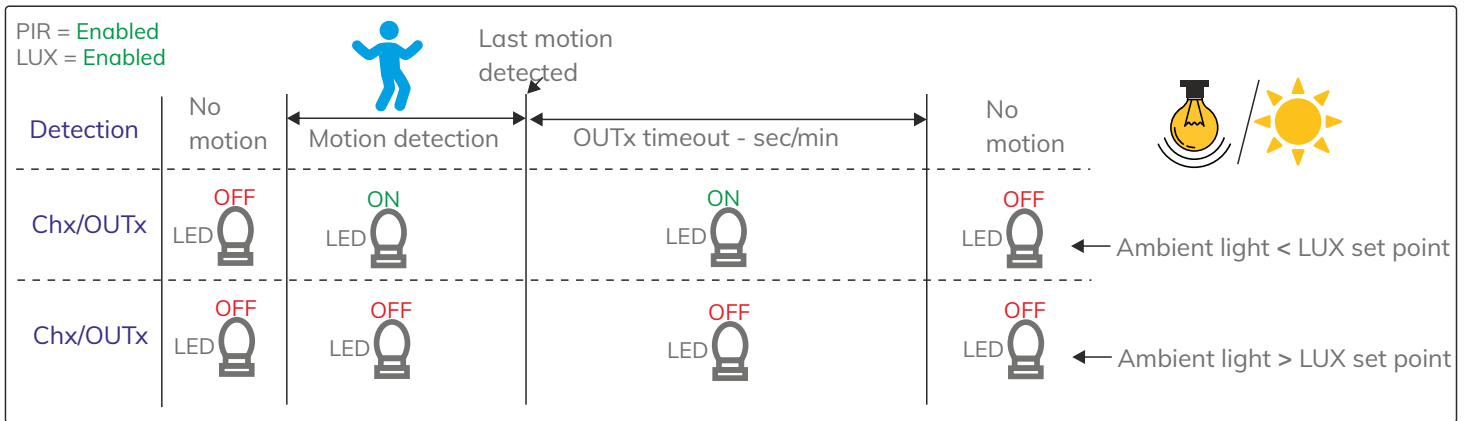


PIR / LUX / CH-2 START MODE configurations:

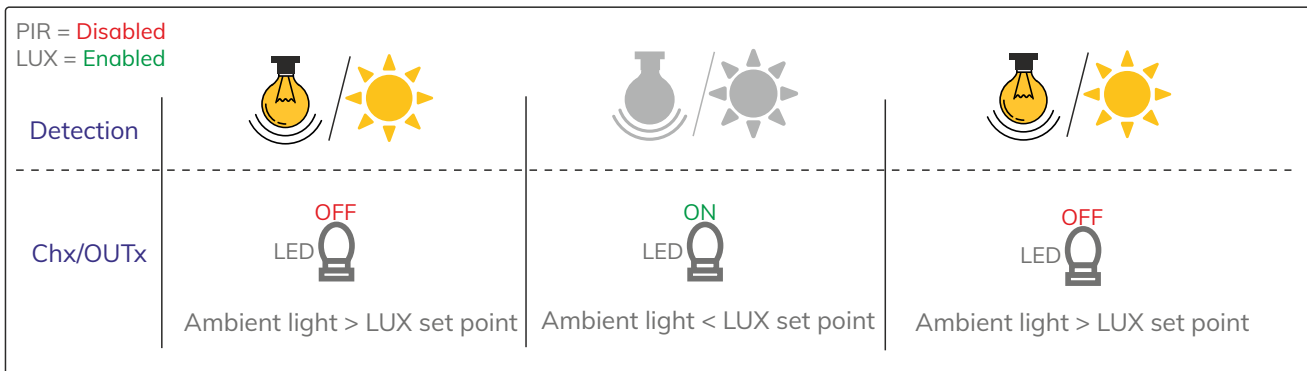
Channel configured for PIR motion detection only-



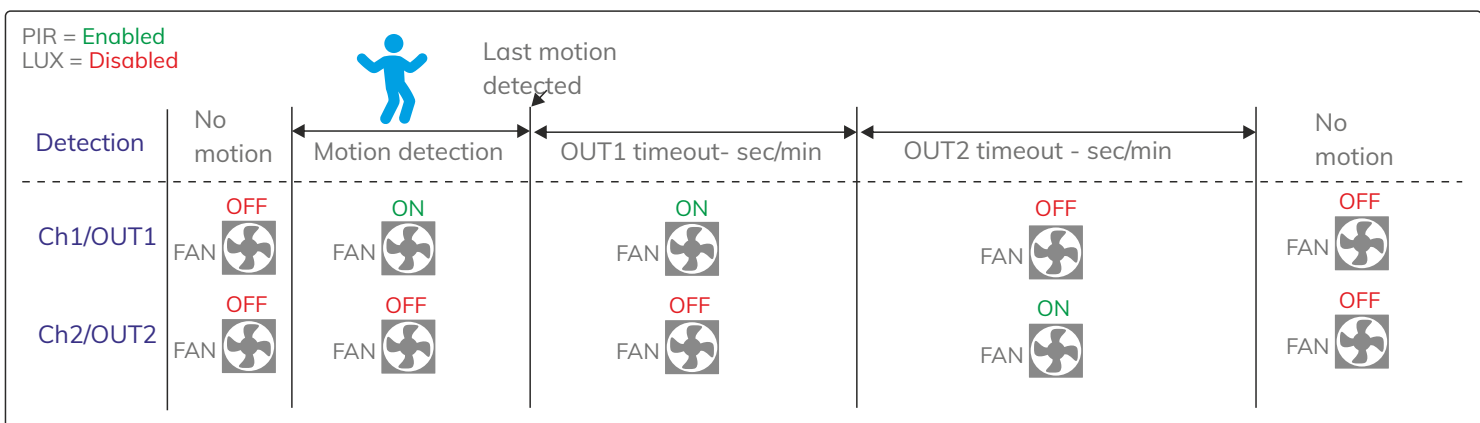
Channel configured for both PIR motion detection & LUX detection as per set point-



Channel configured for only LUX detection as per set point-



Channel-2 - configured in sequential mode (Start MODE = 1)-



Notes- [a] CH-2 does not come 'ON' until CH-1 times out

[b] If there is motion detection during CH-2 timeout, CH-2 will turn 'OFF' and cycle restarts.